



Warning

Read the installation instructions before you connect the system to its power source. Statement 1004



Warning

Installation of the equipment must comply with local and national electrical codes. Statement 1074



Warning

This product relies on the building's installation for short-circuit (overcurrent) protection. Ensure that the protective device is rated not greater than: 15A. Statement 1005



Warning

In order to comply with FCC radio frequency (RF) exposure limits, antennas should be located at a minimum of 7.9 inches (20 cm) or more from the body of all persons. Statement 332



Note

Use only with listed ITE equipment.

If you require assistance installing or operating your small cell, contact customer support.

For warranty information, refer to:

<http://www.cisco-servicefinder.com/WarrantyFinder.aspx>

Cisco Systems, Inc.
www.cisco.com

Cisco has more than 200 offices worldwide. Addresses, phone numbers, and fax numbers are listed on the Cisco website at www.cisco.com/go/offices.

Cisco and the Cisco logo are trademarks or registered trademarks of Cisco and/or its affiliates in the U.S. and other countries. To view a list of Cisco trademarks, go to this URL: www.cisco.com/go/trademarks. Third-party trademarks mentioned are the property of their respective owners. The use of the word partner does not imply a partnership relationship between Cisco and any other company. (1110R)

© Cisco Systems, Inc. All rights reserved.

78-21626-02 A0



CISCO USC 3331 QUICK START GUIDE



1 Package Contents

Your Cisco Universal Small Cell (USC) 3331 is shipped with the following:

- Power supply unit
- Ethernet cable
- This Quick Start Guide

2 Before You Begin

Consider where you want to place your new small cell. Place it on a flat surface that is:

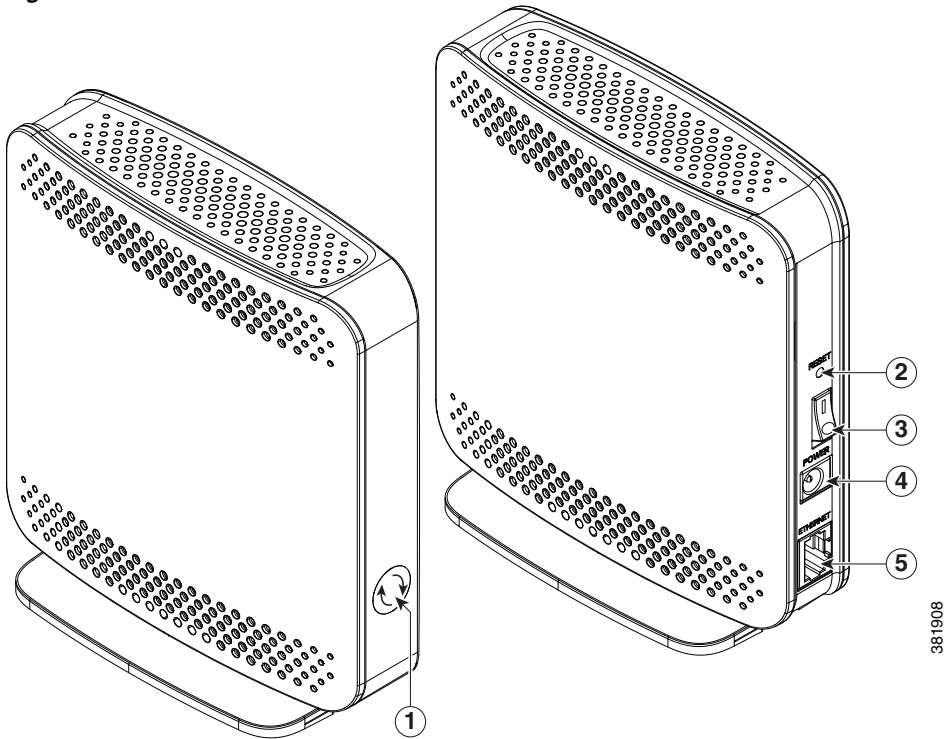
- somewhere central, away from windows so your small cell provides the best possible coverage
- at least 30 cm (1 foot) from other wireless broadcasting devices to avoid possible interference
- convenient to connect to your broadband router or cable modem

3 Connect Your Small Cell

Follow these instructions to connect your USC 3331 for use:

- Step 1** Connect one end of the network cable to the small cell Ethernet port and the other end to your broadband router or cable modem.
- Step 2** Connect the power adapter to the power port and to an AC power source.
- Step 3** Flip the power switch up to turn the unit ON.
- Step 4** Wait ten minutes for your small cell to be ready to use. The status LED stops flashing green and becomes solid green when your small cell is ready to use.

Figure 1 Cisco USC 3331 Connections



381908

1	Status LED	4	Power port
2	Reset button	5	10/100 Base-T Ethernet port
3	Power switch		

4 Verify Your Small Cell Operation

The LED display is located on the side of your small cell. Note the color and activity of the LEDs and refer to this table to diagnose any problems:

Table 1 USC 3331 Status LED Indications

LED Indication	Small Cell State / Action
Off	No power—Ensure power supply is connected and turned on
Fast Green	Initialization or provisioning—Wait for action to complete
Green	In service, no calls or data sessions—Ready to support calls
Slow Green	In service with active calls or data sessions
Red blink 1 time in 4 seconds	No connection to local broadband router—Verify connection between broadband router and small cell, and verify that the broadband router is operational
Red blink 2 times in 4 seconds	No Internet connection—Verify that the broadband router is connected to the Internet and is providing service
Red blink 3 times in 4 seconds	Interference with other systems—Try placing your small cell in a different place. If this problem persists, contact customer support
Red blink 4 times in 4 seconds	Overheating—Verify that the small cell is located where there is proper air flow
Red	Initial boot—Wait up to 20 minutes; if still red, perform a reset Cannot create secure connection—Contact customer support Internal fault—Contact customer support RF issue, cannot select an RF profile—Verify whether another small cell is located in close proximity and if so, relocate unit Provisioning failure—Contact customer support

5 Safety Instructions

Translated versions of the following safety warnings are provided in *Cisco USC 3331 Regulatory Compliance and Safety Information*, located on Cisco.com.



Warning

IMPORTANT SAFETY INSTRUCTIONS

This warning symbol means danger. You are in a situation that could cause bodily injury. Before you work on any equipment, be aware of the hazards involved with electrical circuitry and be familiar with standard practices for preventing accidents. Use the statement number provided at the end of each warning to locate its translation in the translated safety warnings that accompanied this device. Statement 1071

SAVE THESE INSTRUCTIONS